

SolidWorks Corporation

SolidWorks® Office Professional

A Complete 3D CAD Solution



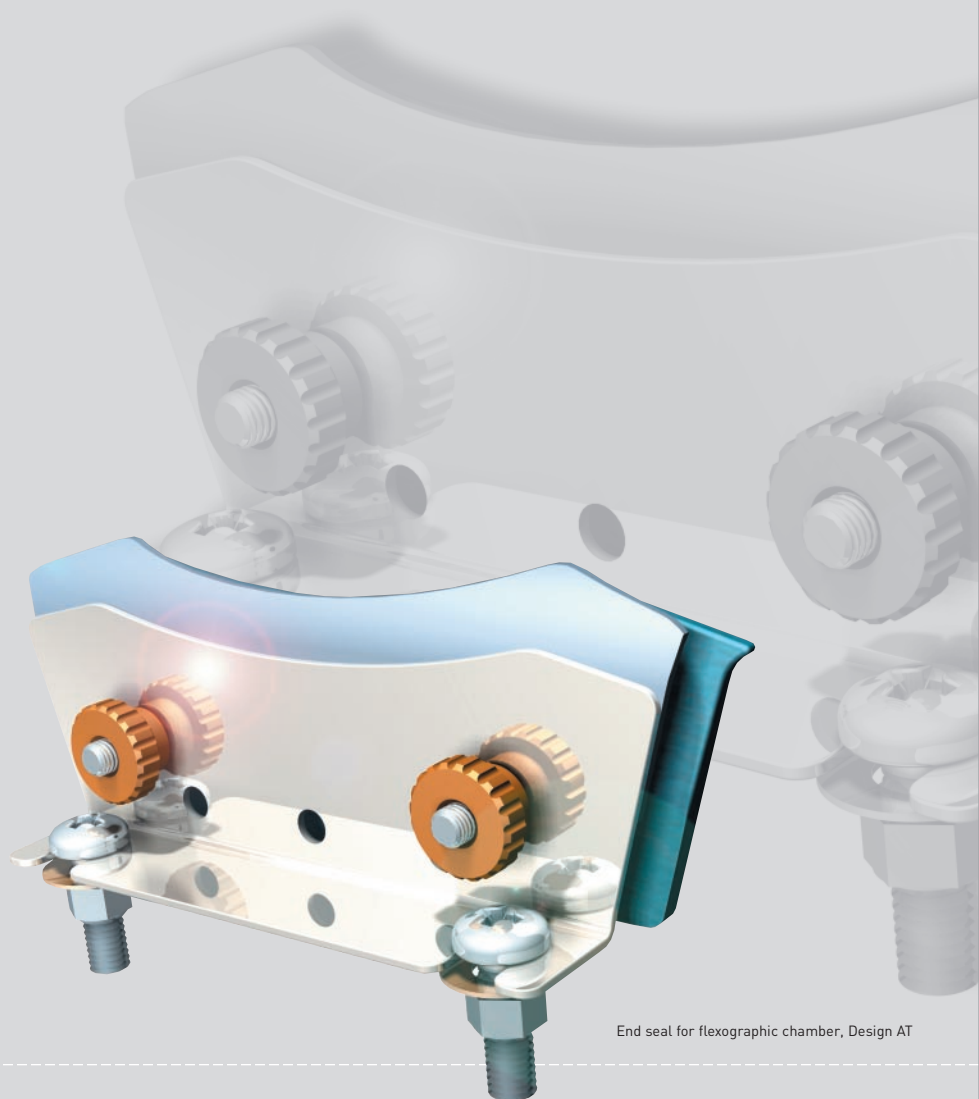
Phase control rectifier assembly,
Westcode Semiconductors Ltd.



SolidWorks Office Professional

A COMPLETE 3D CAD SOLUTION

SolidWorks® Office Professional is a complete 3D CAD solution for workgroups, providing your product design team with all the mechanical design and data management tools they need in one package:



End seal for flexographic chamber, Design AT

SolidWorks software

Innovative, yet proven, SolidWorks is the standard in 3D mechanical design software. SolidWorks offers best-in-class solid modeling and 2D drawing capabilities, plus more time-saving innovations than any other 3D CAD system.

Make the move from 2D to 3D product design more rapidly with unmatched tools for easing the transition and preserving the value of your legacy data.

Improve all aspects of product design and development through single-window integration with over 45 best-in-class add-on solutions.

PDMWorks data management software

PDMWorks™ is an easy-to-set-up-and-use product data management (PDM) solution that is uniquely suited to the requirements of workgroups, allowing your design team to control CAD file revisions and manage all project data more securely and efficiently.

Design communication tools

Demonstrate more effectively how products look and perform with SolidWorks design communication tools:

eDrawings Professional – the first email-enabled communication tool that dramatically eases the review of 2D and 3D design information across your extended product development team.

3D Instant Website – an easy-to-use tool for publishing live web sites with 3D interactive content.

PhotoWorks™ – rendering software for creating photorealistic images.

SolidWorks Animator – animation software for creating compelling AVI files from SolidWorks parts and assemblies.

CAD productivity enhancements

Reduce design steps with SolidWorks CAD productivity enhancements:

SolidWorks Toolbox – a time-saving library of standard parts providing automated assembly through SolidWorks Smart Part Technology.

SolidWorks Utilities – productivity enhancement software that lets you easily find differences between two versions of the same part or locate, modify, and suppress features within a model.

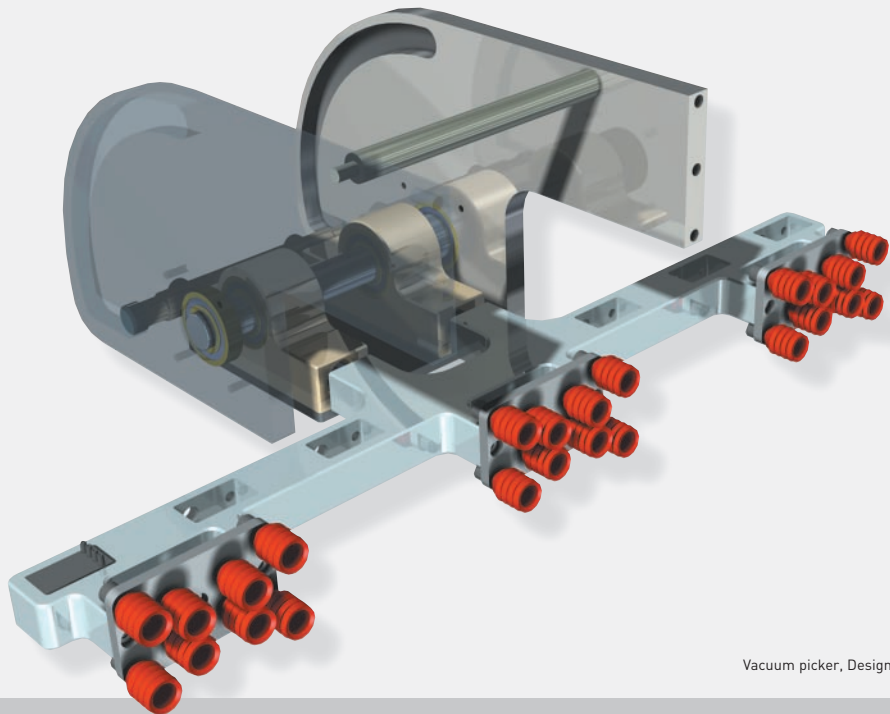
FeatureWorks® – feature recognition software for simplifying the reuse of 3D CAD data created in various file formats.

SolidWorks Task Scheduler – easy-to-use software utility that lets you schedule resource-intensive tasks during periods when you'll be away from your computer.

SolidWorks Software

THE STANDARD IN 3D MECHANICAL DESIGN SOFTWARE

SolidWorks software offers the most time-saving innovations of any CAD solution available. SolidWorks lets you work faster through unmatched performance and ease-of-use, including familiar Windows® functions like drag-and-drop, point-and-click, and cut-and-paste. With SolidWorks, design data is 100% editable, and relationships between parts, assemblies, and drawings always stay up-to-date.



Vacuum picker, Design AT

Unique Capabilities

Heads-up user interaction – Reduce design steps, lessen visual clutter, and minimize fatigue with a set of intuitive display and control functions.

Configuration Management – Simplify design reuse by creating multiple product variations within a single document.

Design analysis – Analyze design integrity easily with COSMOSXpress™, the only built-in analysis tool available for testing part designs quickly and easily within 3D mechanical design software.

Built-in industry-specific design tools – Take advantage of a full range of design tools that meet specific requirements for disciplines such as machine, mold, consumer product, sheetmetal, and weldment design.

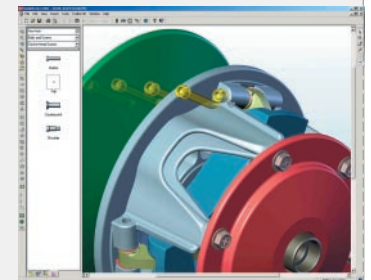
Smart Part Technology – Snap components into place effortlessly and insert scores of standard bolts into holes automatically.

File translators – Preserve the value of DWG files and other legacy data with more than 20 built-in CAD file translators.

Physical simulation – Simulate true motion and mechanical interaction between solids with unique physical simulation capabilities that allow you to avoid potential design flaws.

Online access to ready-made components – Save time with 3D ContentCentral™, which provides built-in access to ready-made components via leading online catalogs.

Single-window integration with add-on software – Extend design applications through full integration with more than 45 best-in-class add-on solutions.



Best-in-class 3D CAD Functions

Part modeling – Create designs easily with extrudes, revolves, thin features, lofts and sweeps, shelling, feature patterns, and holes using unique feature-based part modeling capabilities.

Assembly modeling – Reference parts directly and maintain relationships when creating new parts.

Large assemblies – Work on large assemblies without having to load all components into memory and gain unparalleled performance for designing large assemblies consisting of tens of thousands of parts.

2D drawing – Develop complete, production-ready engineering drawings without drawing a single line or arc, make revisions easily and accurately, and generate bills of materials and balloons automatically.

Surfacing – Create complex surfaces using lofts and sweeps with guide curves, fill-in holes, and drag-handles for easy tangency control.

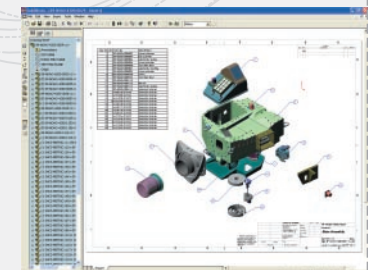
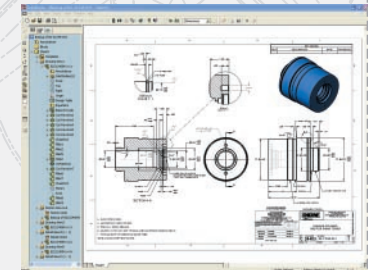
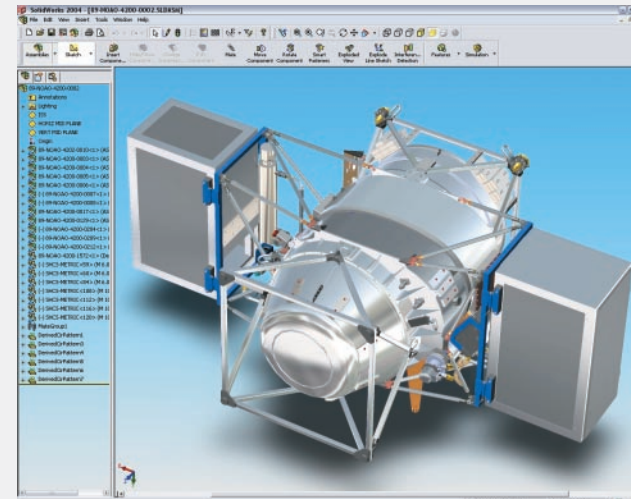


Image at left: Renegade 300 ZTR, Wilderness ATV

Image above courtesy of National Optical Astronomy Observatory, operated by the Association of Universities for Research in Astronomy, under cooperative agreement with the National Science Foundation

PDMWorks Software

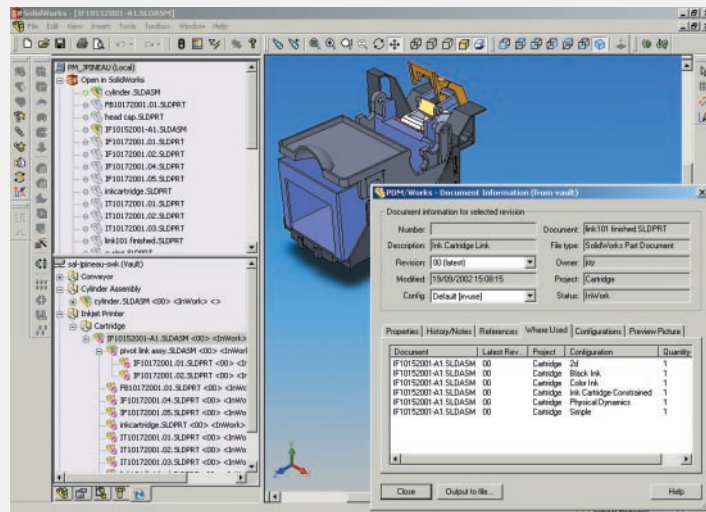
EASY-TO-SET-UP-AND-USE PRODUCT DATA MANAGEMENT SOFTWARE FOR WORKGROUPS

PDMWorks is a production-proven product data management (PDM) solution that is uniquely suited to the requirements of SolidWorks engineering workgroups. Unlike enterprise PDM solutions that can require considerable planning effort to implement effectively, PDMWorks is easy to set up and use, allowing your design team to control CAD file revisions and manage all project data more efficiently.

Unique capabilities

Simple interface – Maximize productivity with a simple set of visual cues as well as intuitive drag-and-drop and right mouse click capabilities optimized for the SolidWorks design environment.

Easy setup – Become immediately more productive with minimal technical support and virtually no customization effort. Installing and configuring the software typically takes less than two hours.



Best-in-class workgroup PDM functions

Data management – Manage documents and data more efficiently, including properties such as description, status, number, and costs. Make changes simply by selecting items and keying in updated values, automatically updating all associated bills of materials and reports.

Revision control – Avoid accidental overwriting of files and time spent working on wrong files by providing controlled access to all project files.

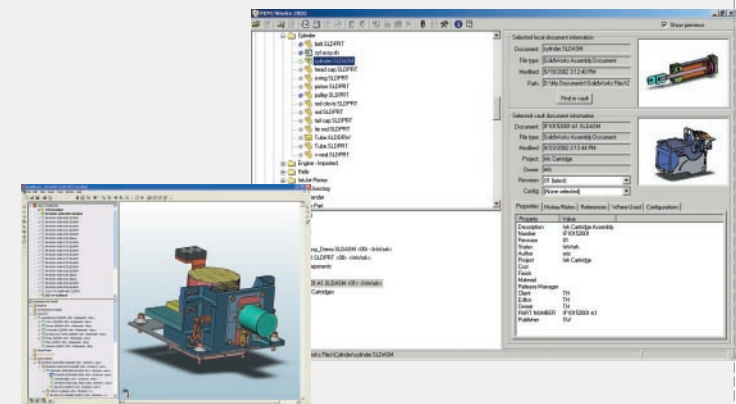
File histories – Capture file histories automatically, allowing your product design team to access desired files, determine who has worked on them, and see exactly when changes were made.

Secure vaulting – Gain an additional level of security with easy-to-use administrative controls. Unlike common network or local folders, the PDMWorks vault protects your design information from unauthorized access as well as accidental overwrites and deletions.

Reuse of product design data – Use fast search capabilities to access content easily and reuse previously developed design work more efficiently, reducing duplicated efforts.

Extended access – Enable non-CAD users such as manufacturing and purchasing staff members to access and add documents to the vault with standalone version.

Web-based viewing – Provide web-based viewing into the PDMWorks vault and enable customized, automatic communication of information to people or business systems using PDMWorks Advanced Server.



Design Communication Tools

Share product design concepts and collaborate more easily. Innovative SolidWorks design communication tools allow your organization to begin marketing activities early and streamline all phases of the product development process.

eDrawings Professional

- Let reviewers provide design input without having to purchase their own markup tools
- View, mark up, and measure eDrawings files
- Enhance understanding with innovative interpretation tools and instant animations

Communicate product designs more effectively with eDrawings Professional - the first email-enabled communication tool that dramatically eases the review of 2D and 3D product design data across your extended product development team. Generate accurate representations of 2D and 3D models that anyone can view, mark up, and measure without having to purchase their own markup tools. Use eDrawings Professional to share product design information more easily with other product designers, marketing and manufacturing staff, suppliers, and customers.

3D Instant Website

- Create and publish live web pages with 3D interactive content
- Share designs with your extended product development team
- Choose from a variety of templates and viewing formats

3D Instant Website is a single-click web publishing tool that allows you to share 3D models with your customers, coworkers, and suppliers. Instantly create a password-protected web site that enables visitors to view, rotate, zoom, and pan your 3D models and provide comments. With 3D Instant Website you can choose from a variety of customizable templates, style sheets, and viewing formats, bringing a higher level of quality to your product design reviews.

PhotoWorks

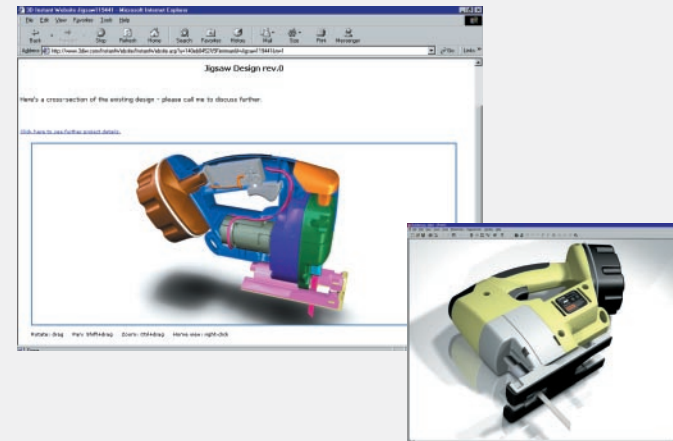
- Create compelling photorealistic images
- Enhance images with advanced visual effects
- Market product concepts more effectively

PhotoWorks is a best-in-class rendering solution for creating photorealistic images from 3D CAD models, increasing the impact of presentations and proposals. Help your customers and colleagues visualize your designs more easily. Take advantage of advanced visual effects such as user-defined lighting and an extensive library of materials and textures as well as background scenery. Start marketing product concepts early in the development cycle and get to market faster.

SolidWorks Animator

- Create exciting AVI files from SolidWorks parts and assemblies
- Observe in real time how moving parts interact as true solids
- Document product design processes visually

With SolidWorks Animator, you can create compelling AVI (Audiovisual Interleave) files from SolidWorks parts and assemblies, allowing you to communicate design concepts more effectively with anyone who has a Windows PC. Animator helps you present product designs more effectively by capturing parts and assemblies in motion.



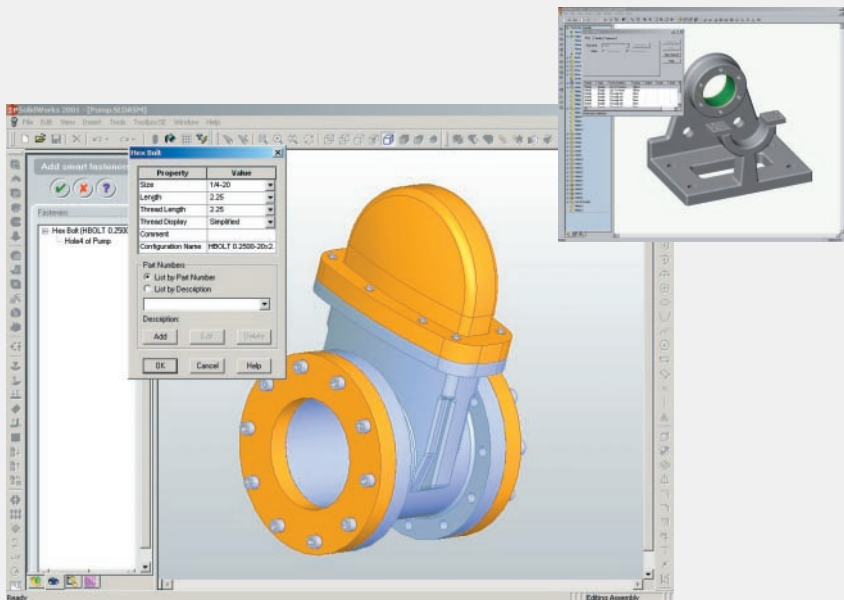
CAD Productivity Enhancements

Increase efficiency with SolidWorks CAD productivity enhancements that automate frequently performed design tasks and improve your ability to reuse previously created design work.

SolidWorks Toolbox

- Access a time-saving library of standard components
- Automatically select fasteners and assemble them in the proper sequence
- Configure parts parametrically, quickly, and accurately

SolidWorks Toolbox uses Smart Part Technology to automatically select the appropriate fasteners and assemble them in the proper sequence. With Toolbox, you gain access to an affordable, time-saving library of standard parts – a virtual *Machinery's Handbook*®. SolidWorks Toolbox is an easy way to make sure every product design you create adheres to industry standards or your company's standards.



SolidWorks Utilities

- Compare geometry or features between parts
- Find and highlight specific geometry in a part
- Identify problems with imported geometry

SolidWorks Utilities lets you easily find differences between two versions of the same part or locate, modify, and suppress features within a model. The software supplies a full range of productivity enhancements to make your life easier.

FeatureWorks

- Share 3D models among different CAD systems
- Introduce new design intent into legacy 3D models
- Apply intelligence to static CAD data, making it ready for use in SolidWorks

FeatureWorks lets you make changes to static geometric data, increasing the value of translated files and reducing time spent rebuilding models. With FeatureWorks, you can preserve or introduce new design intent when bringing 3D models created in other software applications into the SolidWorks environment. Features recognized by FeatureWorks are fully editable, associative, and parametric. Results include better product designs, faster development cycles, lower costs, and increased revenues.

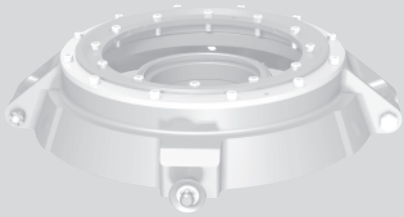
SolidWorks Task Scheduler

- Increase productivity by performing resource-intensive computing tasks during breaks and after hours
- Schedule batch printing jobs, generate drawings, and run analyses and custom macros
- Import, export, or update files and custom properties

SolidWorks Task Scheduler is an easy-to-use software utility that saves time by enabling you to schedule resource-intensive tasks during periods when you'll be away from your computer. With SolidWorks Task Scheduler you can defer to a more convenient time common tasks such as batch printing, creation of production-level drawings and high quality eDrawings files, running of analyses, and updating of project files, including all associated files and properties.

For More Information

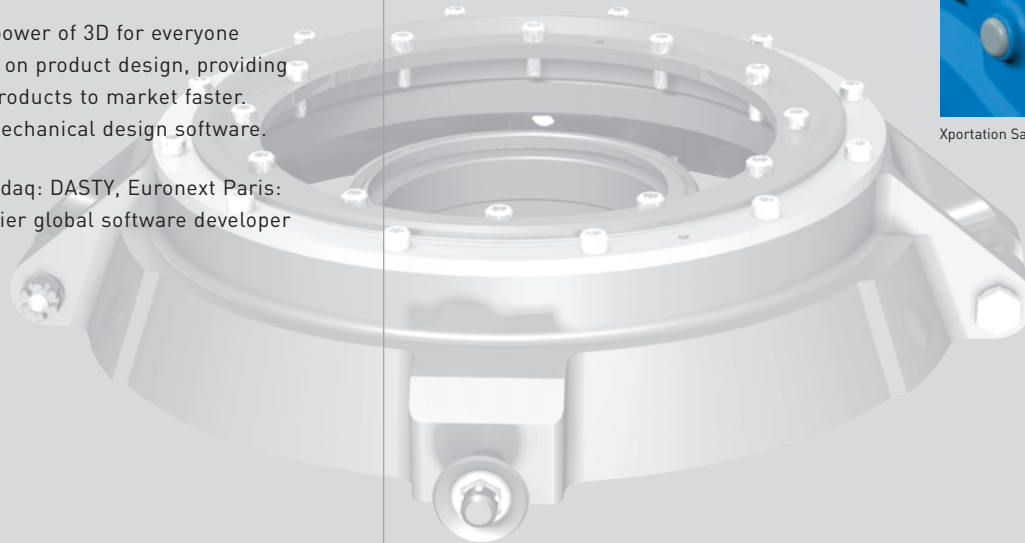
For more information about SolidWorks Office Professional, contact your local SolidWorks reseller or visit www.solidworks.com to find the SolidWorks location or reseller nearest you. You may also call SolidWorks toll-free at +1-800-693-9000 for additional information or to speak with a SolidWorks sales representative. If you are calling from outside the U.S., please dial +1-978-371-5011.



SolidWorks Corporation

The mission of SolidWorks Corporation is to unleash the power of 3D for everyone in product development. Only SolidWorks is 100% focused on product design, providing software and services that help manufacturers get new products to market faster. Innovative, yet proven, SolidWorks is the standard in 3D mechanical design software.

SolidWorks Corporation is a Dassault Systemes, S.A. (Nasdaq: DASTY, Euronext Paris: #13065, DSY.PA) company. Dassault Systemes is the premier global software developer of Product Lifecycle Management (PLM) solutions.



Groen Brothers Aviation, Inc.

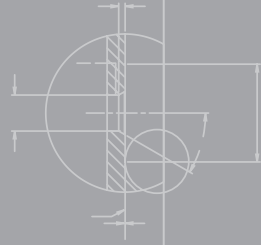


HIGHVOLT Prüftechnik GmbH



Xportation Safety Concepts, Inc.

design: Envision



www.solidworks.com

Corporate Headquarters

SolidWorks Corporation
300 Baker Avenue
Concord, MA 01742 USA
Phone: +1-800-693-9000
Outside the U.S.: +1-978-371-5011
Fax: +1-978-371-7303
Email: info@solidworks.com

European Headquarters

SolidWorks Europe
Parc du Relais – Bât. D
201, Route de la Seds
Vitrolles 13127, France
Phone: +33 4 42 15 03 85
Fax: +33 4 42 75 31 94
Email: info@solidworks-europe.com

Asia/Pacific Headquarters

SolidWorks Corporation
Penthouse Level
Suntec Tower Three
8 Temasek Boulevard
Singapore 038988
Phone: +65 6866 3885
Fax: +65 6866 3838
Email: info@solidworks-ap.com

MKSOPROBROENG0703